

● IC801 (MN64733)

Pin No.	Terminal Name	I/O	Function
1	PD	—	No used, open
2	PDPOL	—	No used (Connect to GND)
3	TXOUT	O	128 fs synchronization signal output for TXIN
4	VSS	—	Connect to GND
5	XO	O	No used, open
6	XI	I	Input for external clock signal
7	VDD	I	Power supply (+ 5V)
8	LP	O	L-ch positive-phase (PWM) detection signal output
9	LN	O	L-ch negative-phase (PWM) detection signal output
10	VSS	—	Connect to GND
11	NC	—	No used (Connect to GND)
12	NC	—	No used (Connect to GND)
13	VSS	—	Connect to GND
14	RN	O	R-ch negative-phase (PWM) detection signal output
15	RP	O	R-ch positive-phase (PWM) detection signal output
16	VDD	I	Power supply (+ 5V)
17	VSS	—	Connect to GND
18	CSEL	I	No used (Connect to GND)
19	VDD	I	Power supply (+ 5V)
20	BSEL	I	No used (Connect to GND)
21	ZFLRB	O	Output the internal detector signal for R-ch ∞

Pin No.	Terminal Name	I/O	Function
22	ZFLLB	O	Output the internal detector signal for L-ch ∞
23	NC	—	Connect to GND
24	ALLOW	O	No used, open
25	CL384	O	No used, open
26	LRPOL	I	Connect to VDD
27	DEO	I	Connect to GND
28	DEI	I	De-emphasis mode select signal input
29	VSS	—	Connect to GND
30	TEST1	I	No used (Connect to GND)
31	TEST2	I	No used (Connect to GND)
32	RSTB	I	Reset signal input
33	IE	—	No used (Connect to GND)
34	NC	—	No used (Connect to GND)
35	TP1	O	No used, open
36	TP2	O	No used, open
37	SEL2	I	No used (Connect to GND)
38	SEL1	I	No used (Connect to GND)
39	FSEL	I	Input the MASH clock mode select signal ("H": 64 fs)
40	TXIN	I	Digital audio interface signal input
41	SD	I	Serial data input
42	LR	I	L-ch/R-ch clock signal input
43	BCK	I	Serial data and bit clock signal input
44	PD2	O	Output the bit clock signal, 64 fs phase comparison signal

■ Replacement Parts List

Notes: *Important safety notice:
 Components identified by Δ mark have special characteristics important for safety. Furthermore, special parts which have purposes of fire-retardant (resistors), high-quality sound (capacitors), low-noise (resistors), etc. are used. When replacing any of components, be sure to use only manufacturer's specified parts shown in the parts list.
 *The parenthesized indications in the Remarks columns specify the areas. (Refer to the cover page for area.)
 *Parts without these indications can be used for all areas.
 *Remote Control Ass'y: Supply period for three years from termination of production.
 * [MB] indicates in Remarks columns parts that are supplied by MBV.
 *Warning: This product uses a laser diode. Refer to caution statements on page 2.
 *ACHTUNG: Die Lasereinheit nicht zerlegen.
 Die Lasereinheit darf nur gegen eine vom Hersteller spezifizierte Einheit ausgetauscht werden.
 *The "(SF)" mark denotes the standard part.

Ref. No.	Part No.	Part Name & Description	Remarks	Ref. No.	Part No.	Part Name & Description	Remarks
				Q892, 893	2SA933SQR	TRANSISTOR	
		INTEGRATED CIRCUIT(S)				DIODE(S)	
IC11	LM2940T5	I. C. REGULATOR	Δ				
IC401	UPD78042A014	I. C. SYSTEM CONTROL	[MB]	D11-18	1D3-E	DIODE	Δ [MB]
IC651	RCDHC-278N	I. C. REMOTE SENSOR		D19	MA4330MTA	DIODE	Δ
IC701	AN8805SBE1	I. C. SERVO AMP	[MB]	D21, 22	MA4082MTA	DIODE	Δ
IC702	MN662713RG1	I. C. SERVO PROCESSOR	[MB]	D23, 24	MA4056MTA	DIODE	Δ
IC703	AN8389SE1	I. C. MOTOR DRIVE		D25, 26	1SS254TA	DIODE	
IC781	TA7291SA	I. C. MOTOR DRIVE		D31, 32	1SS254TA	DIODE	
IC801	MN64733	I. C. DIGITAL FILTER		D33, 34	MA4091-M	DIODE	Δ
IC802, 803	AN96A08SE2	I. C. D/A CONVERTER INTERFACE		D41, 42	1SS254TA	DIODE	
IC804-806	LM833M63	I. C. DIFFERENCE AMP.		D51	MA4039MTA	DIODE	
IC871	BA4560N	I. C. HEADPHONES AMP.		D301-305	1SS254TA	DIODE	
IC891	BA4560FE1	I. C. L. P. FILTER AMP.	[MB]	D401	MA4056MTA	DIODE	Δ
		TRANSISTOR(S)		D601-606	1SS254TA	DIODE	
Q11	2SD2037EFTA	TRANSISTOR	Δ	D651	SLR-305LC	L. E. D.	
Q12	2SB1240-P	TRANSISTOR	Δ	D652	SLR-305DC	L. E. D.	
Q13	2SD1862QRTV6	TRANSISTOR	Δ	D653	SLR-305MC	L. E. D.	
Q15	2SA933SQR	TRANSISTOR	Δ	D701	1SS254TA	DIODE	
Q16	2SB1238QSTV6	TRANSISTOR	Δ	D801, 802	1SS254TA	DIODE	
Q17	2SC1740SQ	TRANSISTOR	Δ	D831-838	1SS254TA	DIODE	
Q18	2SA933SQR	TRANSISTOR	Δ	D841-848	1SS254TA	DIODE	
Q19, 20	2SD1450RTA	TRANSISTOR		D851	1D3-E	DIODE	[MB]
Q21	DTA124ESTP	TRANSISTOR		D861	1SS254TA	DIODE	
Q22	2SC1740SQ	TRANSISTOR		D891	1SS254TA	DIODE	
Q23	2SD2037EFTA	TRANSISTOR	Δ			VARIABLE RESISTOR(S)	
Q31	2SD1862QRTV6	TRANSISTOR	Δ	VR871	EWCU1A016A15	V. R. HEADPHONES LEVEL	[MB]
Q32	2SB1240-P	TRANSISTOR	Δ			COMPONENT COMBINATION(S)	
Q33	2SK982TPE2	TRANSISTOR	Δ				
Q34	2SJ148TPE2	TRANSISTOR	Δ				
Q41	DTA124ESTP	TRANSISTOR		Z831-834	EXCELDR35V	COMBINATION PART	
Q51, 52	2SC1740SQ	TRANSISTOR		Z851	EXCELDR35V	COMBINATION PART	
Q401, 402	2SD1862QRTV6	TRANSISTOR	Δ			COIL(S)	
Q751	2SA933SQR	TRANSISTOR					
Q752	2SC1740SQ	TRANSISTOR					
Q801, 802	2SC1740SQ	TRANSISTOR		L841	RLQZN3R3KL-D	COIL	[MB]
Q803, 804	2SD1450RTA	TRANSISTOR		L871-873	RLQZN3R3KL-D	COIL	[MB]
Q805, 806	DTA124ESTP	TRANSISTOR		L874	RLQZN4R7KL-D	COIL	
Q851	DTC124EST	TRANSISTOR				TRANSFORMER(S)	
Q853	DTA114ESTP	TRANSISTOR					
Q871, 872	2SD1450RTA	TRANSISTOR					
Q891	2SC1740SQ	TRANSISTOR		T1	RTP1K4B020	POWER TRANSFORMER	Δ [MB]

Ref. No.	Part No.	Part Name & Description	Remarks	Ref. No.	Part No.	Part Name & Description	Remarks
		OSCILLATOR(S)		CN402	RJTD29W06VT	CONNECTOR(6P)	
				CN411, 412	RJU076W20M	SOCKET(20P)	
				CN611, 612	RJTD76W20M	CONNECTOR(20P)	[MB]
X401	RSKY4M23M01T	OSCILLATOR(4. 23MHz)		CN701	RJS12Q9ZA	SOCKET(12P)	[MB]
X701	RSXZ16M9M01T	OSCILLATOR(16. 9MHz)		CN702	RJS1A6723-1Q	SOCKET(23P)	
X801	RSXA33M8J01T	OSCILLATOR(33. 8MHz)	[MB]	CN703	RJTD29W06VT	CONNECTOR(6P)	
		DISPLAY TUBE		CN781	RJP6G17ZA	PLUG(6P)	
				CN871	RJS2A2107T	SOCKET(7P)	[MB]
FL601	RSLO188-F	DISPLAY TUBE	[MB]	CN891	RJS2A2107T	SOCKET(7P)	[MB]
		SWITCH(ES)				EARTH PLATE	
S601	EVQ21405R	SW, 8		GND871	RMCO184	EARTH PLATE	[MB]
S602	EVQ21405R	SW, 3				JACK(S)	
S603	EVQ21405R	SW, RECALL		JK1	SJS9236	AC INLET	△
S604	EVQ21405R	SW, F. SKIP		JK301	TOTX174-A	OPTICAL OUT	
S605	EVQ21405R	SW, STOP		JK801	RJH3201N	LINE OUT	
S606	EVQ21405R	SW, 9		JK871	QJA0455ZC-A	HEADPHONES JACK	
S607	EVQ21405R	SW, 4					
S608	EVQ21405R	SW, RANDOM					
S609	EVQ21405R	SW, R. SKIP					
S610	EVQ21405R	SW, PAUSE					
S611	EVQ21405R	SW, 0					
S612	EVQ21405R	SW, 5					
S613	EVQ21405R	SW, REPEAT					
S614	EVQ21405R	SW, R. SEARCH					
S615	EVQ21405R	SW, F. SEARCH					
S616	EVQ21405R	SW, 6					
S617	EVQ21405R	SW, 1					
S618	EVQ21405R	SW, PROGRAM					
S619	EVQ21405R	SW, TIME FADE					
S620	EVQ21405R	SW, AUTO CUE					
S621	EVQ21405R	SW, 7					
S622	EVQ21405R	SW, 2					
S623	EVQ21405R	SW, CLEAR					
S624	EVQ21405R	SW, SIDE A/B					
S625	EVQ21405R	SW, TIME MODE					
S626	EVQ21405R	SW, OPEN/CLOSE					
S627	EVQ21405R	SW, >10					
S628	EVQ21405R	SW, PLAY					
S629	EVQ21405R	SW, TAPE LENGTH					
S630	EVQ21405R	SW, PEAK SEARCH					
S651	EVQ21405R	SW, POWER					
S781	RSH1A005	SW, TRAY OPEN DET.					
S782	RSH1A005	SW, TRAY CLOSE DET.					
		CONNECTOR(S)					
CN11	RJS1A6606	SOCKET(6P)					
CN21	RJS1A6606	SOCKET(6P)					
CN401	RJS1A6823	SOCKET(23P)					

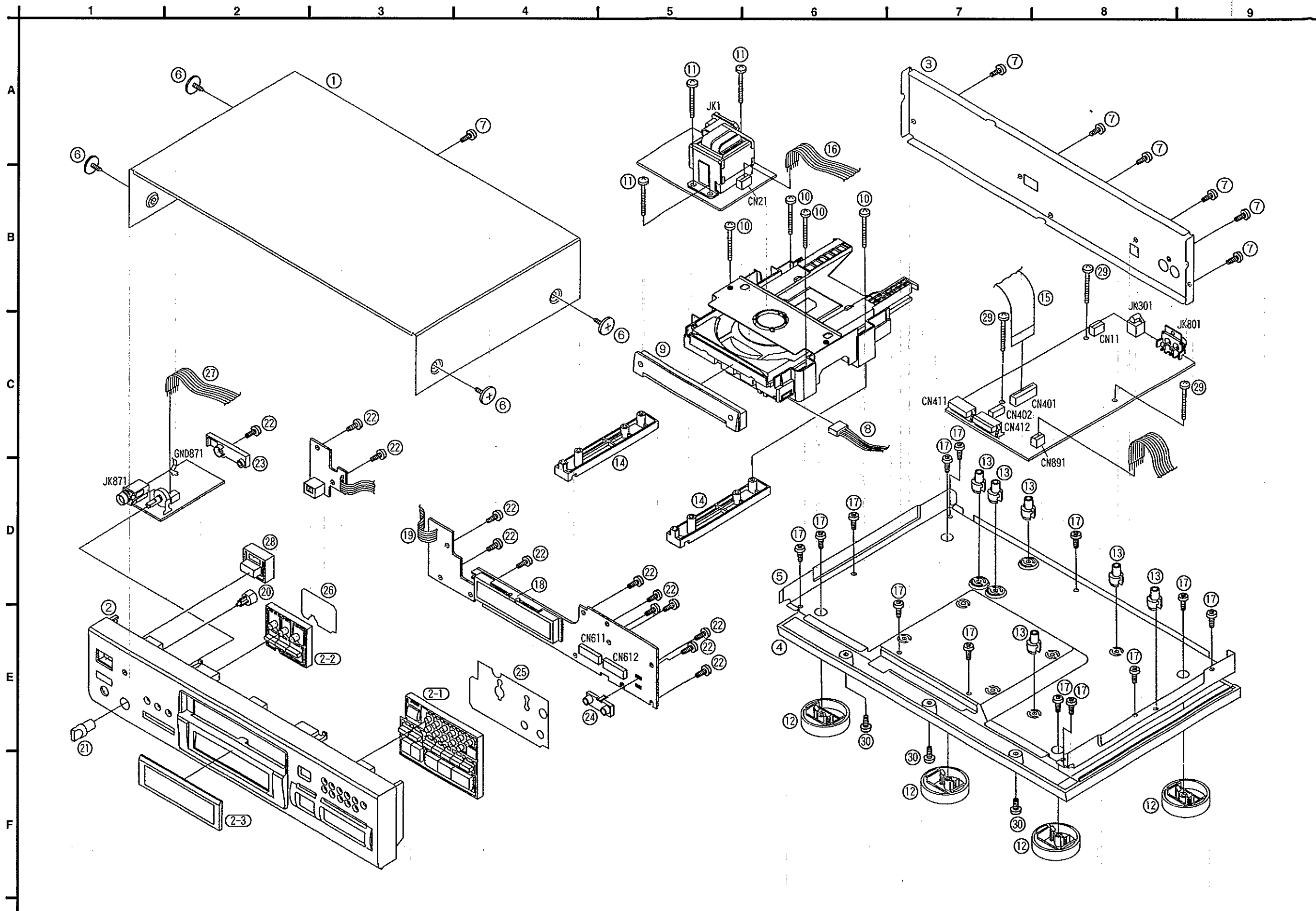
Notes : * Capacity values are in microfarads (μF) unless specified otherwise, P=Pico-farads (pF) F=Farads (F)
 * Resistance values are in ohms, unless specified otherwise, 1K=1,000(OHM) , 1M=1,000k(OHM)

Ref. No.	Part No.	Values & Remarks	Ref. No.	Part No.	Values & Remarks	Ref. No.	Part No.	Values & Remarks
		RESISTORS	R727	ERDS2TJ153	1/4W 15K	O17, 18	ECEA1HJ101	50V 100U
			R728	ERDS2TJ822	1/4W 8.2K	C20, 21	ECA1EPXS101B	25V 100U
			R731	ERDS2TJ223	1/4W 22K	C22	ECEA1AU331	10V 330U
R1	ERQ16NKWR15E	1W 0.15	R732	ERDS2TJ183T	1/4W 18K	C23, 24	ECEA0JKA101B	6.3V 100U
R12, 13	ERDS2TJ222	1/4W 2.2K	R733	ERDS2TJ822	1/4W 8.2K	C31, 32	ECBT1H102KB5	50V 1000P
R16	ERDS2TJ680T	1/4W 68	R735, 736	ERDS2TJ101	1/4W 100	C33, 34	ECA1EPXS101B	25V 100U
R17	ERDS2TJ471	1/4W 470	R745	ERDS2TJ155	1/4W 1.5M	C51	ECEA1AKA220B	10V 22U
R18	ERDS2TJ473	1/4W 47K	R751	ERDS2TJ681	1/4W 680	C304	ECEA0JKA101B	6.3V 100U
R19	ERDS2TJ472	1/4W 4.7K	R752, 753	ERDS2TJ392T	1/4W 3.9K	C311	ECFR1E104ZF5	25V 0.1U
R20	ERDS2TJ223	1/4W 22K	R754	ERDS2TJ103	1/4W 10K	C401	ECFR1E104ZF5	25V 0.1U
R21, 22	ERDS2TJ102	1/4W 1K	R761, 762	ERDS2TJ103	1/4W 10K	C402	ECEA0JU102	6.3V 1000U
R23	ERDS2TJ103	1/4W 10K	R763	ERDS2TJ823T	1/4W 82K	C404	ECFR1E104ZF5	25V 0.1U
R24-27	ERDS2TJ1R0	1/4W 1.0	R764	ERDS2TJ393	1/4W 39K	C405	ECEA0JKA101B	6.3V 100U
R28, 29	ERDS2TJ103	1/4W 10K	R765	ERDS2TJ224T	1/4W 220K	C451	ECBT1H101KB5	50V 100P
R30	ERDS2TJ223	1/4W 22K	R766	ERDS2TJ104	1/4W 100K	C703	ECEA0JKA101I	6.3V 100U
R31, 32	ERDS2TJ471	1/4W 470	R772, 773	ERDS2TJ220T	1/4W 22	C704	ECFR1E104ZF5	25V 0.1U
R33, 34	ERDS2TJ105T	1/4W 1M	R775, 776	ERDS2TJ392T	1/4W 3.9K	C705	ECEA1HKA010I	50V 1U
R41	ERDS2TJ222	1/4W 2.2K	R777	ERDS2TJ102	1/4W 1K	C706	ECBT1H101KB5	50V 100P
R51	ERDS2TJ331	1/4W 330	R801-804	ERDAS3G331T	1/4W 330	C707	ECFR1C273KR	16V 0.027U
R52	ERDS2TJ272T	1/4W 2.7K	R805-808	ERDAS3G332T	1/4W 3.3K	C708	ECBT1C472MR5	16V 4700P
R53, 54	ERDS2TJ472	1/4W 4.7K	R809-822	ERDAS3G103T	1/4W 10K	C709	ECFR1C473KR	16V 0.047U
R308	ERDS2TJ470	1/4W 47	R823, 824	ERDAS3G471T	1/4W 470	C714	ECEA0JKA101I	6.3V 100U
R310	ERDS2TJ102	1/4W 1K	R825, 826	ERDS2TJ102	1/4W 1K	C716	ECBT1H561KB5	50V 560P
R311	ERDS2TJ822	1/4W 8.2K	R827, 828	ERDS2TJ330	1/4W 33	C717	ECFR1E104ZF5	25V 0.1U
R312	ERDS2TJ331	1/4W 330	R829, 830	ERDAS3G331T	1/4W 330	C718	RCQ52C0224J9	63V 0.22U
R401	ERDS2TJ102	1/4W 1K	R831, 832	ERDAS3G473T	1/4W 47K	C721, 722	ECBT1H270J5	50V 27P
R403, 404	ERDS2TJ103	1/4W 10K	R833, 834	ERDS2TJ333	1/4W 33K	C723	ECEA0JKA221I	6.3V 220U
R405, 406	ERDS2TJ471	1/4W 470	R835-838	ERDS2TJ470	1/4W 47	C724	ECFR1E104ZF5	25V 0.1U
R407	ERDS2TJ101	1/4W 100	R841, 842	ERDS2TJ103	1/4W 10K	C725, 726	ECBT1H102KB5	50V 1000P
R408-412	ERDS2TJ103	1/4W 10K	R851	ERDS2TJ101	1/4W 100	C727, 728	ECEA1HKA010I	50V 1U
R414, 415	ERDS2TJ103	1/4W 10K	R852	ERDS2TJ222	1/4W 2.2K	C730	ECFR1E104ZF5	25V 0.1U
R451	ERDS2TJ471	1/4W 470	R861, 862	ERDS2TJ563	1/4W 56K	C731, 732	ECEA0JKA221I	6.3V 220U
R601, 602	ERDS2TJ100	1/4W 10	R871, 872	ERDS2TJ473	1/4W 47K	C733	ECFR1E104ZF5	25V 0.1U
R651	ERDS2TJ221	1/4W 220	R873-876	ERDS2TJ104	1/4W 100K	C734	ECEA1AKA221I	10V 220U
R652	ERDS2TJ331	1/4W 330	R885, 886	ERDS2TJ222	1/4W 2.2K	C735-737	ECBT1E223ZF	25V 0.022U
R653	ERDS2TJ151	1/4W 150	R887, 888	ERDS2TJ101	1/4W 100	C738	ECFR1C183KR	16V 0.018U
R701	ERDS2TJ561	1/4W 560	R889, 890	ERDS2TJ473	1/4W 47K	C739	ECBT1C152MR5	16V 1500P
R703	ERDS2TJ823T	1/4W 82K	R891, 892	ERDS2TJ102	1/4W 1K	C740	ECBT1C272MR5	16V 2700P
R707, 708	ERDS2TJ334	1/4W 330K	R897	ERDS2TJ103	1/4W 10K	C742	ECFR1C273KR	16V 0.027U
R709	ERDS2TJ683	1/4W 68K	R898	ERDS2TJ822	1/4W 8.2K	C743	ECBT1E223ZF	25V 0.022U
R711	ERDS2TJ154	1/4W 150K				C744	ECBT1C822MS5	16V 8200P
R712	ERDS2TJ221	1/4W 220			CAPACITORS	C747, 748	ECBT1C103NS5	16V 0.01U
R717, 718	ERDS2TJ102	1/4W 1K				C751	ECEA1CKA100I	16V 10U
R721	ERDS2TJ101	1/4W 100	C1	ECFTD103KXL	50V 0.01U	C752	ECFR1E104ZF5	25V 0.1U
R722	ERDS2TJ683	1/4W 68K	C11 Δ	ECA1CM222B	16V 2200U	C765	ECBT1H331KB5	50V 330P
R723	ERDS2TJ183T	1/4W 18K	C12	ECBT1C103NS5	16V 0.01U	C766	ECBT1H391KB5	50V 390P
R724	ERDS2TJ393	1/4W 39K	C13	ECEA1AKA330B	10V 33U	C767	ECEA1HKN010I	50V 1U
R725	ERDS2TJ472	1/4W 4.7K	C14	ECEA0JKA470B	6.3V 47U	C768	ECFR1E682KR	25V 6800P
R726	ERDS2TJ474	1/4W 470K	C15, 16 Δ	ECA1EPXS471B	25V 470U	C769	ECBT1C222MR5	16V 2200P

■ Cabinet Parts Location

Ref. No.	Part No.	Values & Remarks
C772-775	ECFR1E104ZF5	25V 0.1U
C776	ECBT1H180J5	50V 18P
C777	ECBT1H680J5	50V 68P
C781	ECEA1AKA101I	10V 100U
C801, 802	ECBT1H101KB5	50V 100P
C805-808	ECBT1H102KB5	50V 1000P
C809-812	ECBT1H101KB5	50V 100P
C813, 814	ECBR1H122JZ3	50V 1200P
C815, 816	ECBT1H151KB5	50V 150P
C817, 818	ECA1CPXS470B	16V 47U
C819, 820	ECBT1H102KB5	50V 1000P
C821	ECFR1E104ZF5	25V 0.1U
C831-836	ECEA1CKA100B	16V 10U
C838	ECBT1C103NS5	16V 0.01U
C840-842	ECBT1C103NS5	16V 0.01U
C843, 844	ECBT1H150J5	50V 15P
C845	ECEA0JKA101B	6.3V 100U
C846	ECFR1E104ZF5	25V 0.1U
C847	ECEA0JKA101B	6.3V 100U
C848	ECFR1E104ZF5	25V 0.1U
C849	ECBT1H101KB5	50V 100P
C851, 852	ECA1EPXS101B	25V 100U
C853	ECEA1CU102B	16V 1000U
C857	ECBT1C103NS5	16V 0.01U
C859	ECBT1C103NS5	16V 0.01U
C861	ECFTD103KXL	50V 0.01U
C862	ECBT1H101KB5	50V 100P
C863	ECFR1E104ZF5	25V 0.1U
C864	ECBT1H101KB5	50V 100P
C865	ECFR1E104ZF5	25V 0.1U
C866-869	ECBT1H220J5	50V 22P
C871, 872	ECEA1EKN3R3B	25V 3.3U
C873, 874	ECQB1H103JF3	50V 0.01U
C875-879	ECBT1C103NS5	16V 0.01U
C881, 882	ECEA1AN101XB	10V 100U
C892	ECBT1C103NS5	16V 0.01U
C895	ECBT1C103NS5	16V 0.01U

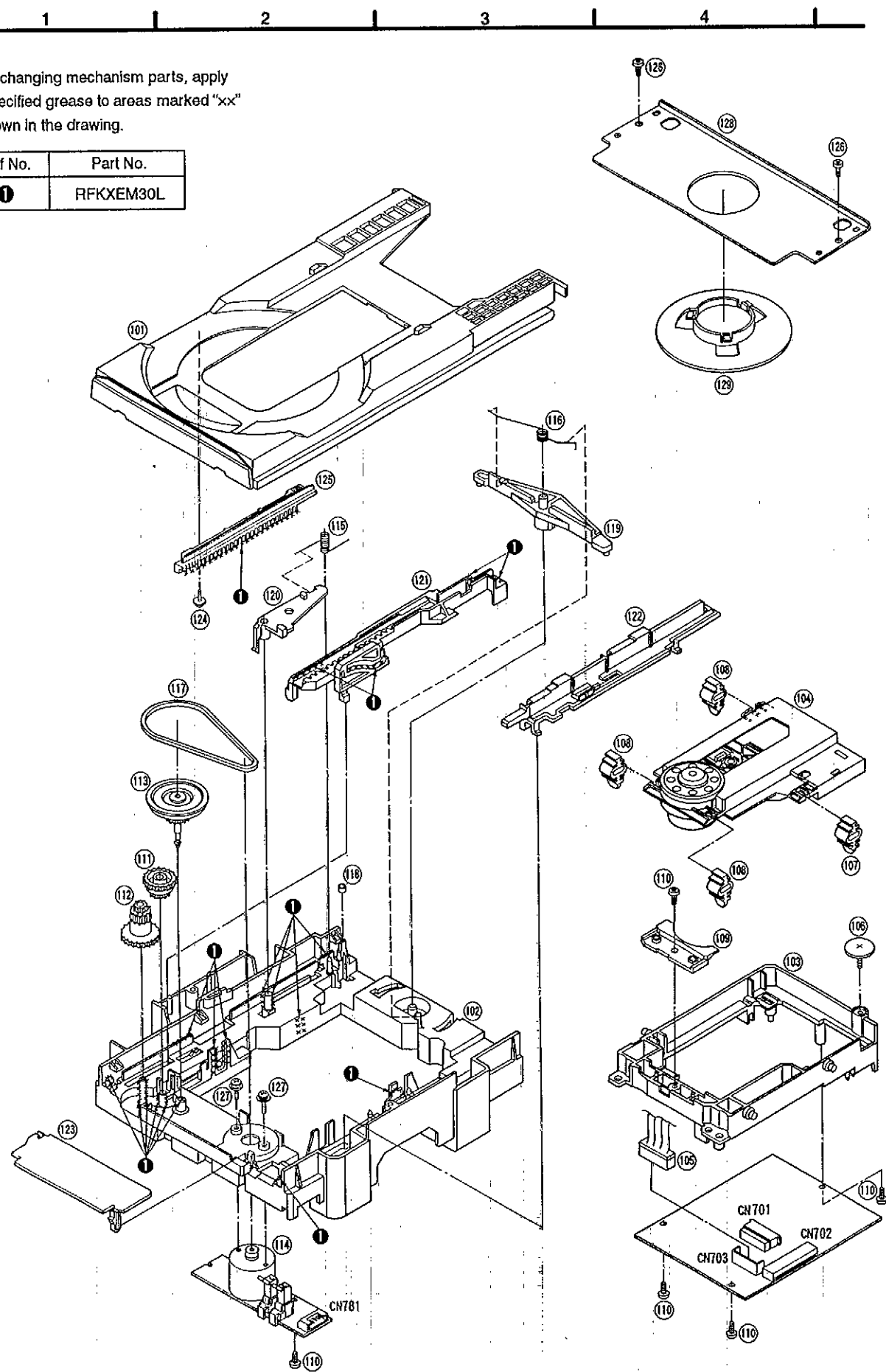
Ref. No.	Part No.	Part Name & Description	Remarks
CABINET PARTS			
1	RKMD152-K	CABINET	[MB]
2	RYPO5452-K	FRONT PANEL ASS'Y	[MB]
2-1	RGU1145A-K	MAIN BUTTON	[MB]
2-2	RGU1146A-K	SUB BUTTON	[MB]
2-3	RKWO359A-R	FL PANEL	[MB]
3	RGR0164B-A	REAR PANEL	[MB] (E, EG)
3	RFKHLPS770AB	REAR PANEL ASS'Y	[MB] (EB)
4	RKJ0052-K	BOTTOM BASE	[MB]
5	RMKO179-1	BOTTOM CHASSIS	[MB]
6	RHD30035-K	SCREW	
7	XTB3+8JFZ1	SCREW	
8	REN0577	CABLE ASS'Y (6P)	[MB]
9	RGD0676-K	ORNAMENT	[MB]
10	RHD30052	SCREW	[MB]
11	RHD30053	SCREW	[MB]
12	RKAD040B	FOOT	[MB]
13	RMRO377-1	P. C. B. SUPPORT	[MB]
14	RMRO810-W	SPACER	[MB]
15	RMJ5223130EE	FPC (23P)	[MB]
16	RMJ6406120XX	FLAT CABLE (6P)	[MB]
17	XTB3+10GFZ	SCREW	
18	RMRO811-K	FL HOLDER	[MB]
19	RMJ6405150XX	FLAT CABLE (5P) FC651	[MB]
20	RGL0267-Q	LED INDICATOR	[MB]
21	RGW0048-1K	H. P. VOLUME KNOB	[MB]
22	RHD26021	SCREW	[MB]
23	RMNO298	HOLDER	[MB]
24	RMRO818-K	LED COVER	[MB]
25	RMV0079	SHEET (MAIN BUTTON)	[MB]
26	RMV0080	SHEET (SUB BUTTON)	[MB]
27	RMJ6807450XX	FLAT CABLE (7P)	[MB]
28	RGU1029-K	POWER BUTTON	[MB]
29	XTB3+20JFZ	SCREW	
30	XTB3+10JFZ	SCREW	



■ Loading Unit Parts Location

Note:
When changing mechanism parts, apply the specified grease to areas marked "xx" as shown in the drawing.

Ref No.	Part No.
1	RFKXEM30L



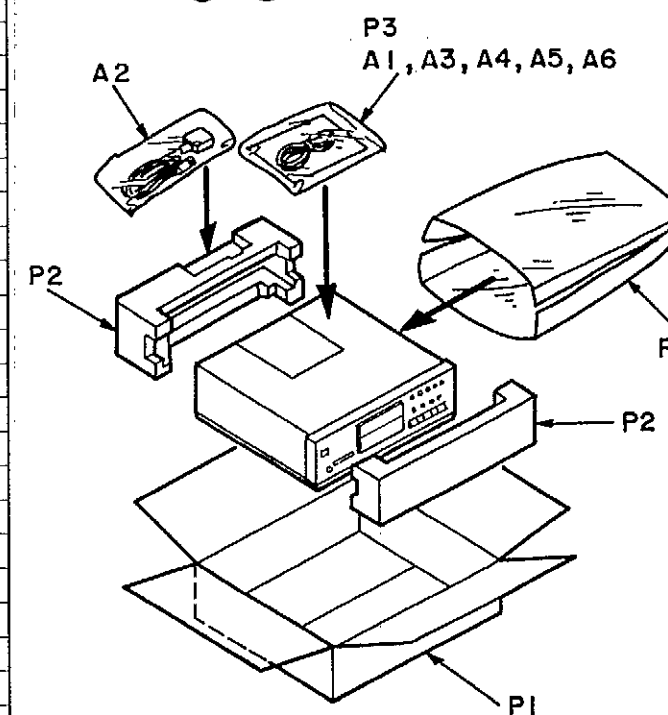
Ref. No.	Part No.	Part Name & Description	Remarks
LOADING UNIT PARTS			
101	RGQ0130-K	TRAY	[MB]
102	RFKJLPG460AE	MECHANISM CHASSIS ASS'Y	[MB]
103	RMRO719-W1	MID. CHASSIS	[MB]
104	RAE1100Z-1	TRAVERSE UNIT	[MB]
105	REX0576	CABLE ASS'Y	[MB]
106	RHD30047	SCREW	[MB]
107	FMG0337-K	DAMPING RUBBER	[MB]
108	FMG0337-Q	DAMPING RUBBER	[MB]
109	RMRO750-W	STOPPER	[MB]
110	XTBS26+8J	SCREW	
111	RDG0142	RELAY GEAR	
112	RDG0259	DRIVE GEAR	[MB]
113	RDP0065	RELAY PULLY	
114	REM0047	MOTOR ASS'Y	[MB]
115	RMED063	LOCK LEVER SPRING	
116	RMED087	ASSIST SPRING	
117	FMG0158	BELT	
118	FMG0338-Q	STOPPER RUBBER	[MB]
119	FMLO177	CHANGE LEVER	
120	FMLO178-1	LOCK LEVER	
121	FMRO112	SLIDE PLATE 1	[MB]
122	FMRO113	SLIDE PLATE 2	[MB]
123	FMRO721-K	GEAR COVER	[MB]
124	RHD20009-1	SCREW	
125	RFKJLPG460AA	DRIVE RACK ASS'Y	[MB]
126	XTB3+8JFZ	SCREW	
127	XYN2+FGFZ	SCREW	
128	RFKJLPG460AB	CLAMP BASE ASS'Y	[MB]
129	RFKJLPG460AC	CLAMPER ASS'Y	[MB]
ACCESSORIES			
A1	EUR642101	REMOTE CONTROL	[MB]
A1-1	UR64EC1326	BATTERY COVER	[MB]
A2	RJA0043-C	AC MAINS LEAD	△(E, EC) [MB]
A2	RJA0034-P	AC MAINS LEAD	△(EB) [MB]
A3	RFKSLPS770AE	INSTRUCTIONS MANUAL	(E) [MB]
A3	RQT2664-B	INSTRUCTIONS MANUAL	(EB) [MB]
A3	RQT2665-D	INSTRUCTIONS MANUAL	(EG) [MB]
A4	SJP2276	STEREO CONNECTION CABLE	
A5	RQA0013	WARRANTY CARD	
A6	RQC80169	SERVICE CENTER LIST	
PACKING MATERIALS			
P1	RPG2275	PACKING CASE	[MB]
P2	RPND842	CUSHION	[MB]
P3	XZB23K35C03	PROTECTION BAG	
P4	SPP730	PROTECTION BAG	

Ref. No.	Part No.	Part Name & Description	Remarks
GREASE OR JIG/TOOL			
SA1	RFKXEM30L	GREASE	
SA2	SZZP1054C	TEST DISC	

Note: The reference number SA represent the grease and tool used for this unit.

1003

■ Packaging



Ref. No.	Part No.	Part Name & Description	Remarks
PACKING MATERIALS			
P1	RPG2275	PACKING CASE	[MB]
P2	RPND842	CUSHION	[MB]
P3	XZB23K35C03	PROTECTION BAG	
P4	SPP730	PROTECTION BAG	